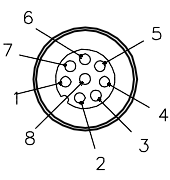
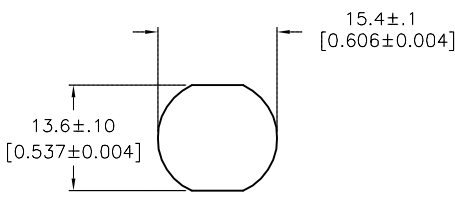
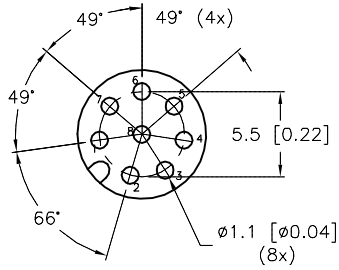
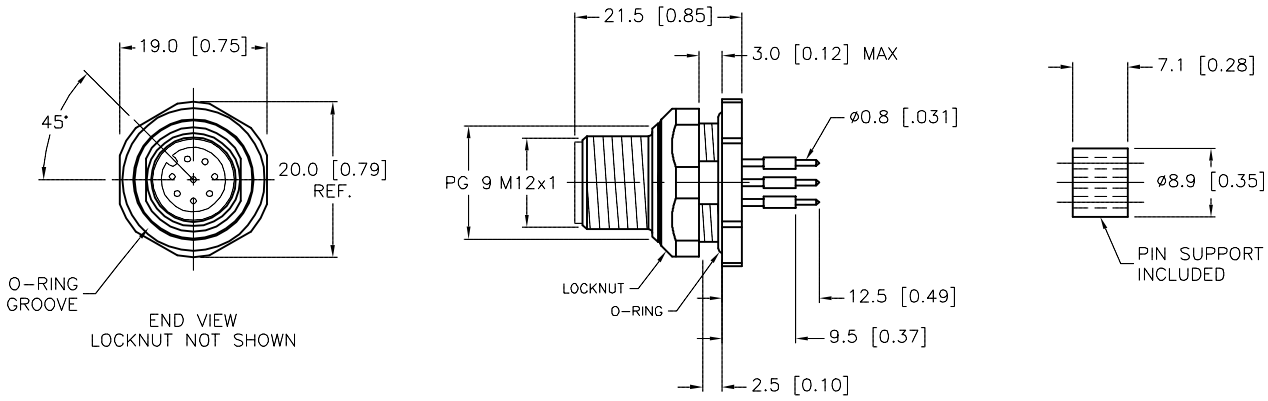
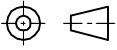


<p>MALE END VIEW</p> 	<p>TYPICAL PANEL CUTOUT</p> 	<p>TYPICAL BOARD LAYOUT</p>  <p>SCALE: 2=1</p>	<p>SPECIFICATIONS</p>	
		CONTACT CARRIER MATERIAL	NYLON OR TPU	
		CONTACT MATERIAL/PLATING	BRASS/GOLD	
		HOUSING/LOCKNUT MATERIAL/FINISH	STAINLESS STEEL/PASSIVATED	
		O-RING MATERIAL	BUNA-N	
		RATED CURRENT [A]	1.5 A	
		RATED VOLTAGE [V]	60 VAC/75 VDC	
		NUMBER OF CONDUCTORS [AWG]	PRINTED CIRCUIT PINS	
		TEMPERATURE RATING	-40°C TO +90°C (-40°F TO +194°F)	
		PROTECTION CLASS	MEETS NEMA 1,3,4,6P AND IEC IP68	



SOURCE DRAWING - FOR REFERENCE ONLY

<p>RELATED DOCUMENTS</p> <ol style="list-style-type: none"> <li>1.</li> <li>2.</li> <li>3.</li> <li>4.</li> </ol>		<p>3RD ANGLE PROJECTION</p> 	<p>THIS DRAWING IS CONFIDENTIAL AND THE PROPERTY OF TURCK INC. USE OF THIS DOCUMENT WITHOUT WRITTEN PERMISSION IS PROHIBITED.</p>	<p>3000 CAMPUS DRIVE MINNEAPOLIS, MN 55441 1-800-544-7769 (763) 553-7300 (763) 553-0708 fax turck.com</p> <p><b>TURCK INC</b> High Technology Sensors and Automation Controls</p>	
<p>MATERIAL</p> <p>SEE SPECIFICATIONS</p>	<p>ALL DIMENSIONS DISPLAYED ON THIS DRAWING ARE FOR REFERENCE ONLY</p>	<p>DRFT *CK DATE 10/25/10</p> <p>APVD SCALE 1=1.0</p>	<p>DESCRIPTION</p> <p>FSFDV 8</p>		
<p>FINISH</p> <p>SEE SPECIFICATIONS</p>	<p>CONTACT TURCK FOR MORE INFORMATION</p>	<p>UNIT OF MEASUREMENT</p> <p><b>MILLIMETER [ INCH ]</b></p> <p>IDENTIFICATION NO. U2-18251</p> <p>REV C</p>			
<p>C UPDATE VOLTAGE RATINGS RDS 05/07/14 45688</p>		<p>DO NOT SCALE THIS DRAWING</p>		<p>FILE: U2-18251 SHEET 1 OF 1</p>	

REV	DESCRIPTION	BY	DATE	ECO NO.
C	UPDATE VOLTAGE RATINGS	RDS	05/07/14	45688